

MOPPET VIDEO PARTS LIST

(A) CABINET ASS'Y

B0104 INTERLOCK SWITCH BLOCK  
B0105 INTERLOCK SWITCH  
B0501 SLAM SWITCH  
B4102 HOOKER AND LATCH  
C3025 WOOD CABINET  
F0600 FLUORESCENT LIGHT  
F1000 SPEAKER  
F1003 SPEAKER COVER  
F4000 LOCK AND KEY  
F9002 PVC RETAINER FOR PC BOARD  
L3000 UPPER AND LOWER RETAINER  
Z0100 CASTOR

(B) TV MONITOR ASS'Y

A2000 MONITOR SHIELD  
B4201 BEZEL  
B4202 BEZEL BRACKET  
K0200 TV TUBE (14")  
K0300 TV MONITOR CHASIS  
K1000 TV BRACKET

(C) CONTROL PANEL ASS'Y

B0301 MICRO SWITCH  
B0303 BUTTON HOLDER  
B1000 PUSH BUTTON  
B3100 JOYSTICK - 8 POSITION  
D1100 WOOD PLATE  
D2300 IRON PLATE

(D) POWER SUPPLY ASS'Y

L0001 POWER SUPPLY CHASIS  
L1001 POWER SUPPLY  
L2002 PLUG  
L2003 POWER CORD  
L4000 TRANSFORMER  
L5003 FUSE HOLDER  
L6001 1A FUSE  
L6005 5A FUSE

L7001 SOCKET  
L9104 WIRE HOLDER  
L9503 FILTER

(E) FRONT DOOR ASS'Y

A3200 BEZEL W/BUTTON (25¢)  
B0201 COIN SWITCH  
C6201 DOOR AND FRAME  
C8100 COIN REJECTOR  
C8401 COIN REJECTOR BRACKET  
F0601 LAMP BASE  
F0632 LAMP  
F4000 LOCK AND KEY

(F) CASH BOX

C7001 CASH BOX

(G) CONTROL UNIT

B0101 ON/OFF SWITCH  
B0103 CONTROL UNIT BRACKET  
B0401 TEST SWITCH  
B2113 SERVICE SWITCH  
E2201 VOLUME CONTROL  
F3002 COIN COUNTER  
L5006 FUSE POST  
L6003 3A FUSE

(H) DECORATION OVERLAY

A0300 MARQUEE  
A1300 VIEWING PLEX  
P7010 SIDE DECAL  
P8010 CONTROL PANEL

(I) HARNESSSES

H0400 SPEAKER HARNESS  
H0500 VIDEO HARNESS  
H0900 FRONT DOOR AND CONTROL UNIT HARNESS  
H1201 POWER SUPPLY HARNESS  
H1202 CONTROL PANEL HARNESS  
H5600 MAIN HARNESS W/MULTI-CONNECTOR  
Z2000 PC BOARD ADAPTER

1. This moppet video game is designed convertable for any kind of new P.C. Board to a new game. Therefore, the whole system of function, parts and wiring in the cabinet are standard.

All of our machine are the same parts and function except the P.C. Board, Control Panel, Display and how to play instruction.

2. This machine consisted of 5 important division: Cabinet, Wiring System, TV Monitor Ass'y, Control Panel Ass'y and Power Supply Ass'y. P.C. Board is various by different games.

A. Cabinet (illustration 2) consist of following parts:

Item NO.	Description	Q'ty
A0300	Marquee	
A3000	price plate	
B0101	on/off switch	1 pc
B0103	"L" type plate	1 pc
B0104	Interlock switch block	1 pc
B0105	Interlock switch	1 pc
B0201	coin micro switch	
B0401	Test switch	1 pc
B0501	Slam switch	
B2113	Test select	1 pc
B4102	Hook	2 pcs
C3025	upright wood cabinet	1 set
C6201	front door	
C7001	cash box	1 pc
C8100	coin rejector	
E2201	Volume control	1 pc
F0600	Fluorescent light	1 pc
F1000	speaker	1 pc
F1003	speaker cover	1 pc
F3002	counter	1 pc
F4000	front/back door locker	each
F9002	P.C. Board retainer	1 set
L3000	upper and lower retain	
L5006	fuse set	1 pc
Z0100	Cabinet castors	2 pcs

B. Wiring system (illustration 3) consist of following parts:

Item NO.	Description	Q'ty
H0400	volume control wiring ass'y	1 set
H0500	TV Monitor wiring ass'y	1 set
H0900	coin 1, coin 2, test, service and counter wiring ass'y	1 set
H1202	control panel wiring ass'y	1 set
H1201	D/C voltage wiring ass'y	1 set
H5600	multi-connector adapter wiring ass'y	1 set
L2003	power cord	1 set
Z2000	P.C. Board apapter wiring ass'y	1 set

Please refer to figure NO. 1 and NO. 2 for complete wiring diagram and multiconnector wiring diagram.

C. TV Monitor Ass'y (illustration 4) consisted of following parts:

Item NO.	Description	Q'ty
A1300	Viewing plex	1 pc
A2000	monitor shield	1 pc
B4201	bezel	1 pc
B4202	bezel fixture	4 pcs
K0200	monitor tube	1 pc
K0300	monitor chasis	1 pc
K1000	TV bracket	1 set
K2000	monitor chasis wood block	1 pc
P5000	how to play label	1 pc

TV Monitor schematic please refer to figure NO. 3.

TV Monitor adjustment please refer to illustration 5.

D. Control Panel Ass'y (illustration 6) consisted of following parts:

Item NO.	Description	Q'ty
B0301	micro switch (cherry E22)	
B0303	button holder	
B1000	button	
B3100	joystick ass'y	1 set
B4101	latch	
D1100	wood control panel plate	1 pc
D2300	iron control panel plate	1 pc

E. Power Supply Ass'y (illustration 7) consisted of following parts:

Item NO.	Description	Q'ty
B0101	on/off switch	1 pc
B0105	Interlock switch	1 pc
L0001	power supply chasis	1 pc
L1001	power supply	1 pc
L2002	plug	1 pc
L4000	transformer	1 pc
L5003	3 position fuse holder	1 pc
L5006	fuse post	1 pc
L6001	fuse 1A	1 pc
L6003	fuse 3A	1 pc
L6005	fuse 5A	1 pc
L7001	socket	1 pc
L9104	wire holder	1 pc
L9503	filter	1 pc

SIGNAL DISTRIBUTION

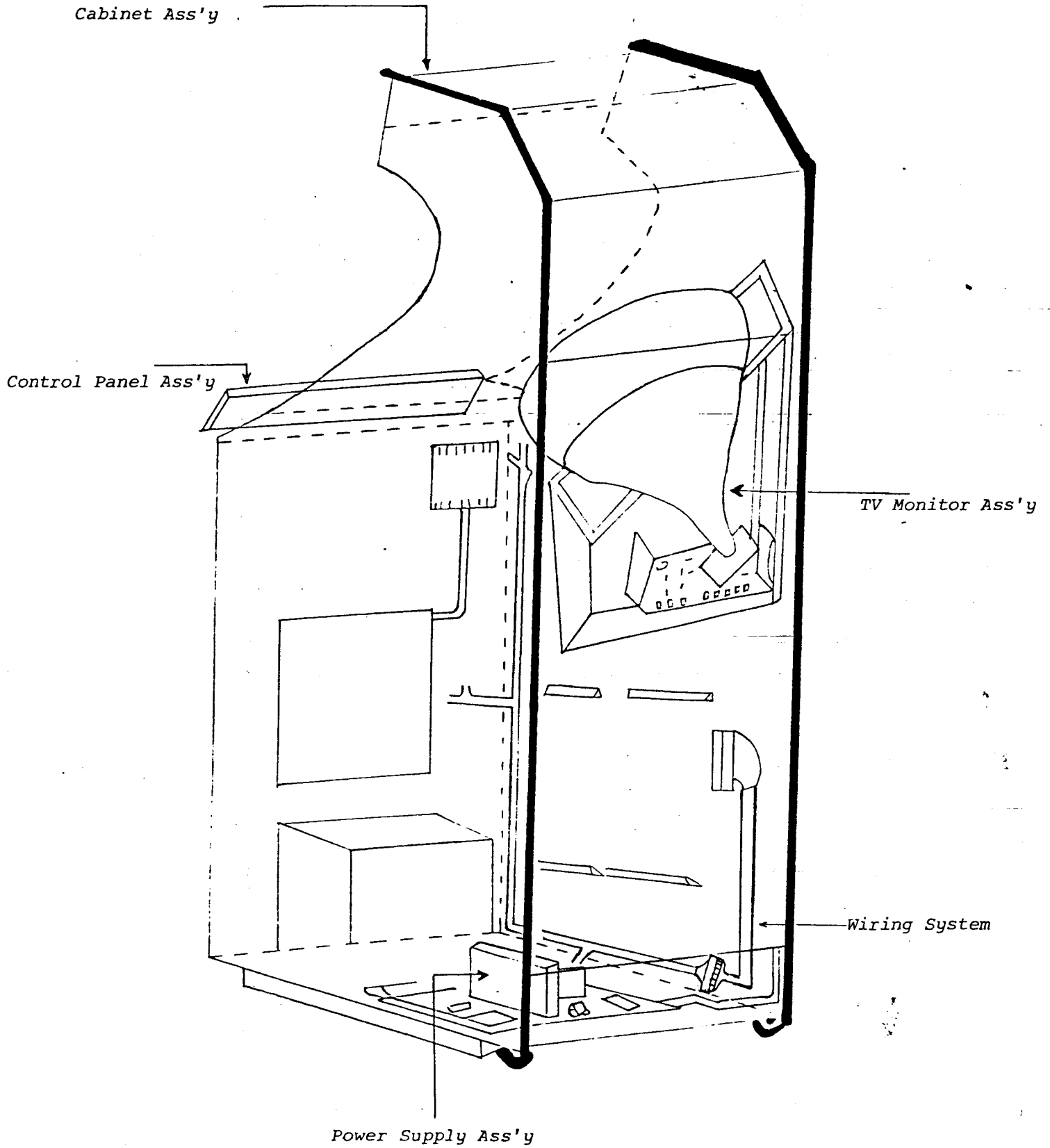


Illustration 1.

CABINET COMPONENT DISTRIBUTION

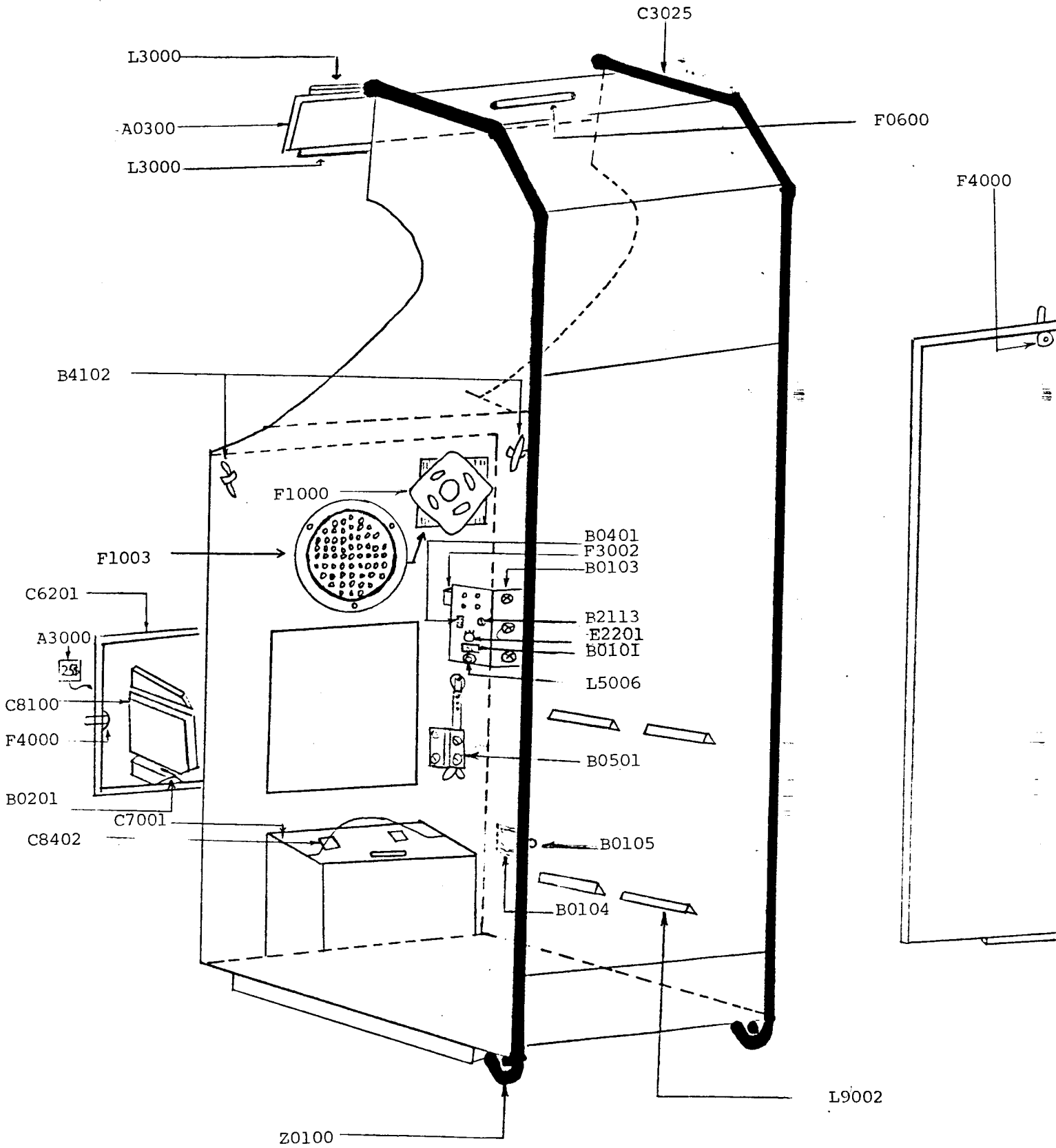


Illustration 2.

WIRING SYSTEM DISTRIBUTION

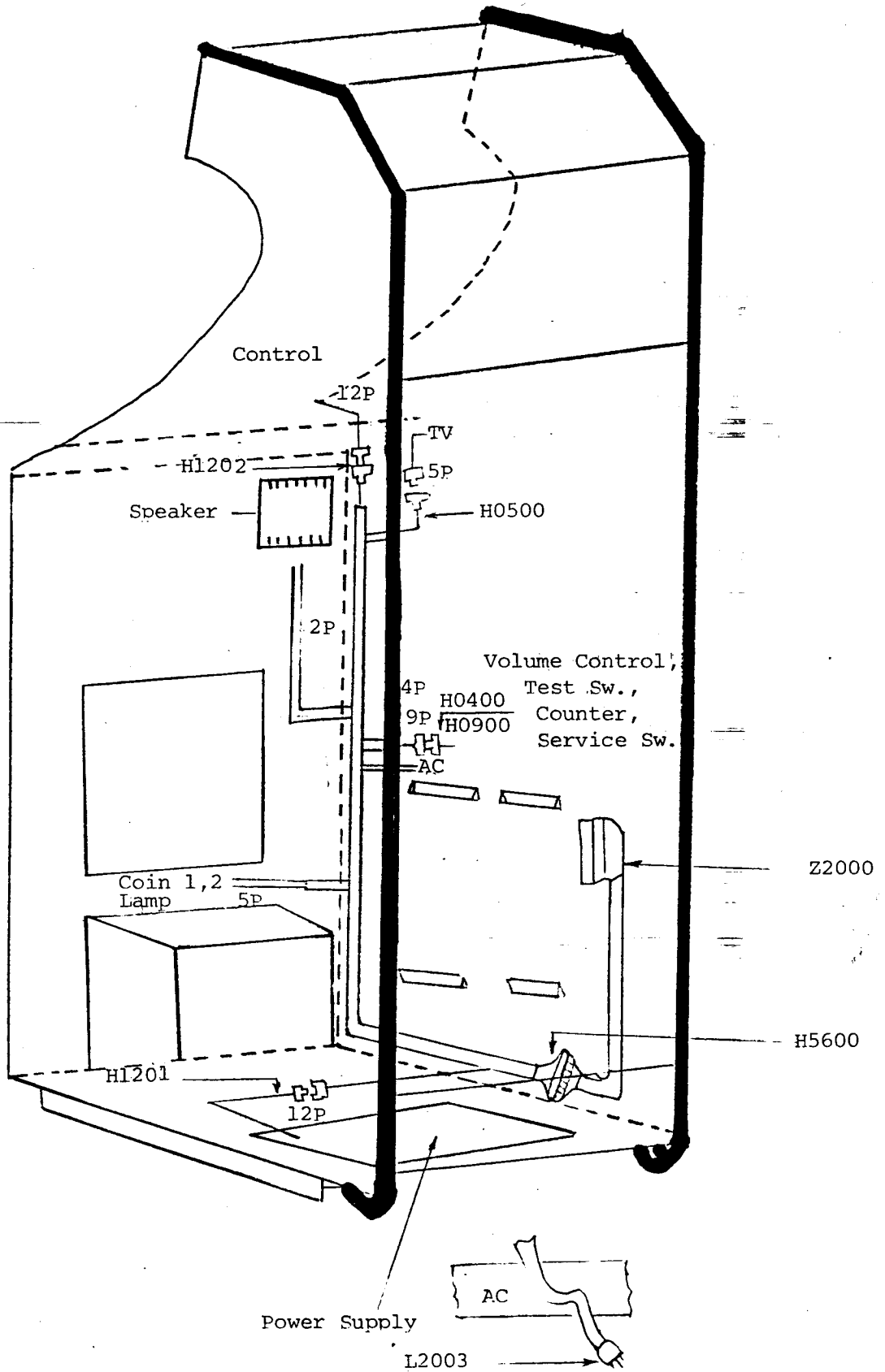


Illustration 3.



TV MONITOR ASS'Y

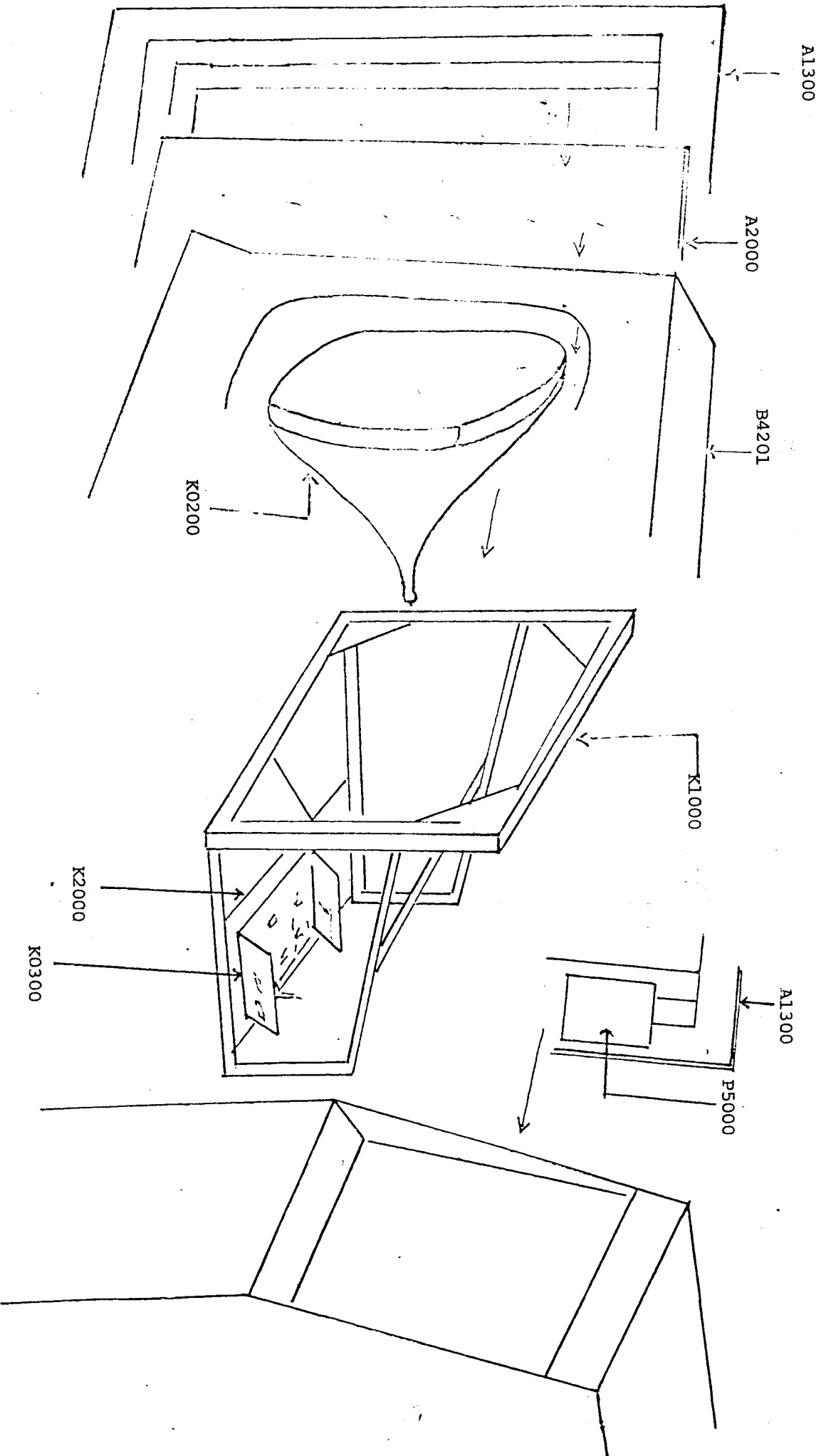
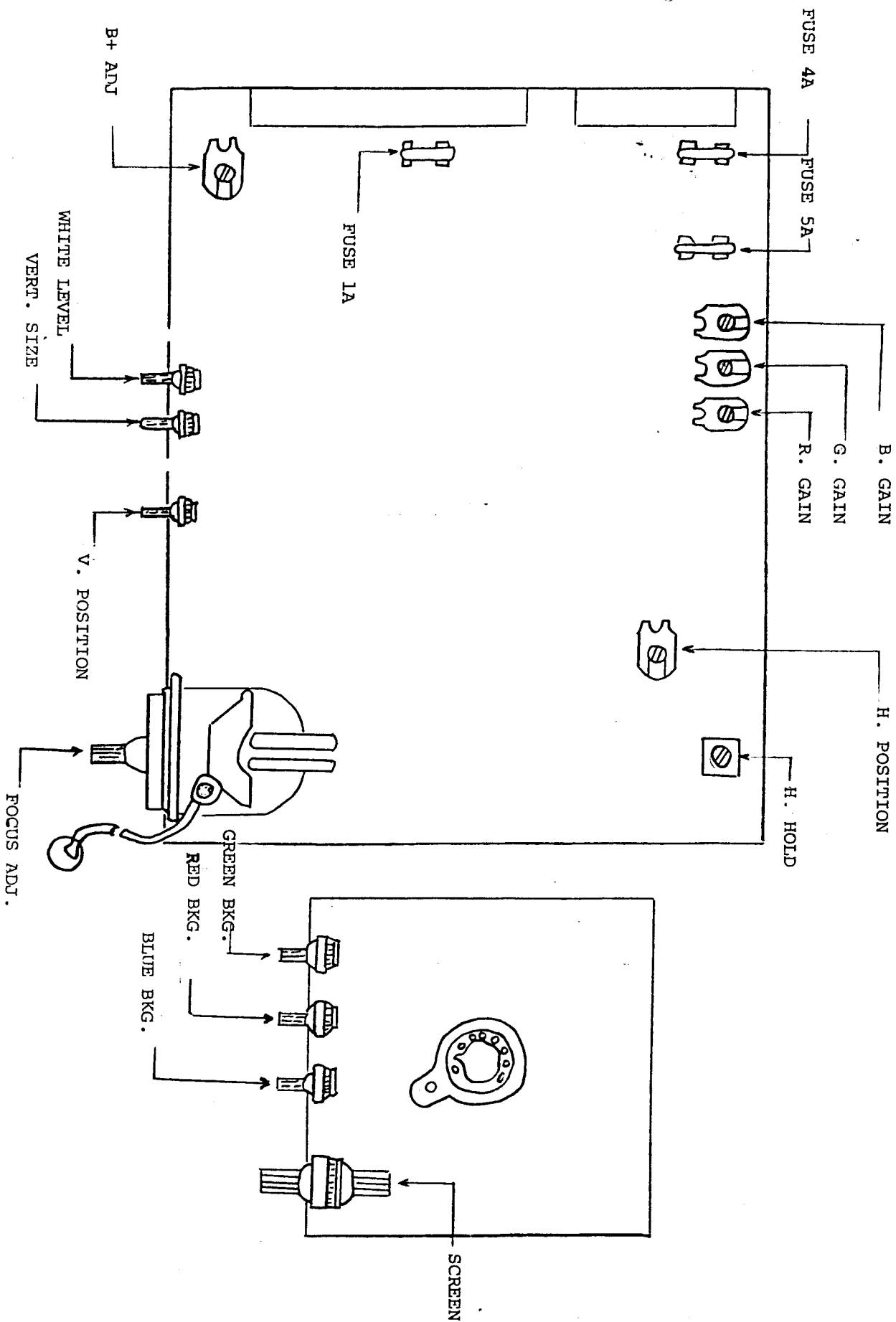


Illustration 4.

TV MONITOR ADJUSTMENT DISTRIBUTION



CONTROL PANEL ASS'Y

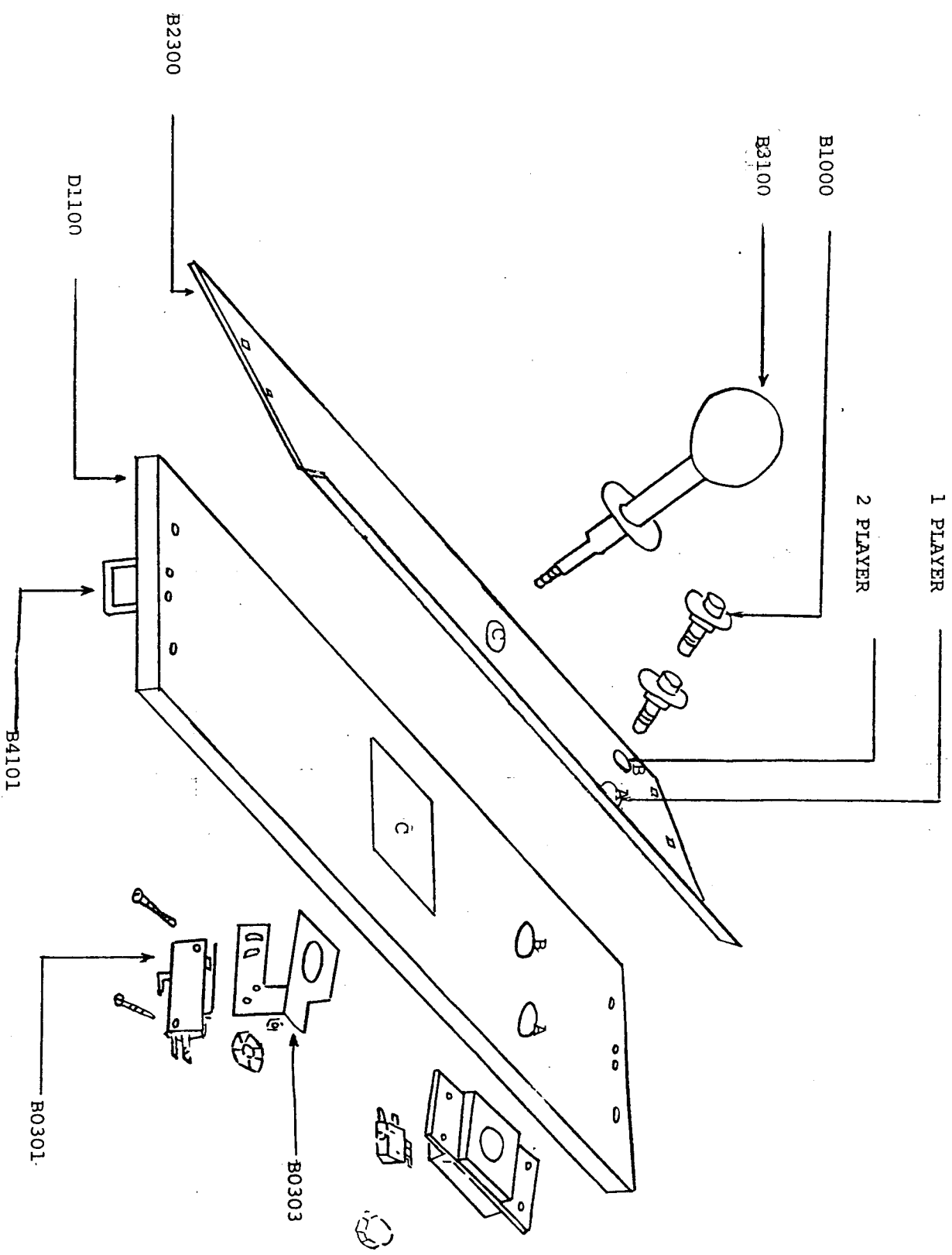


Illustration 6.

POWER SUPPLY ASS'Y

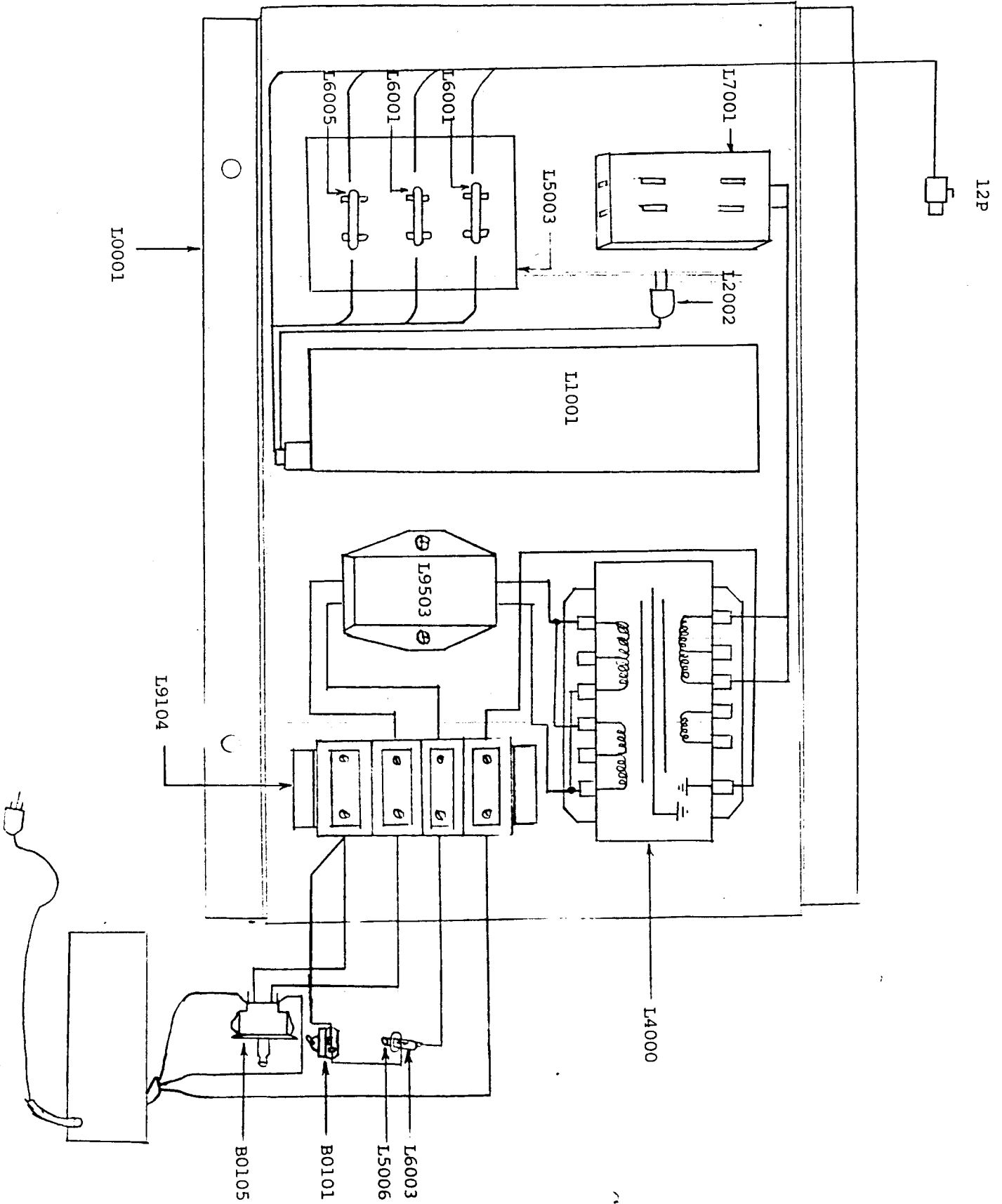


Illustration 7.

MULTI-CONNECTOR WIRING DIAGRAM

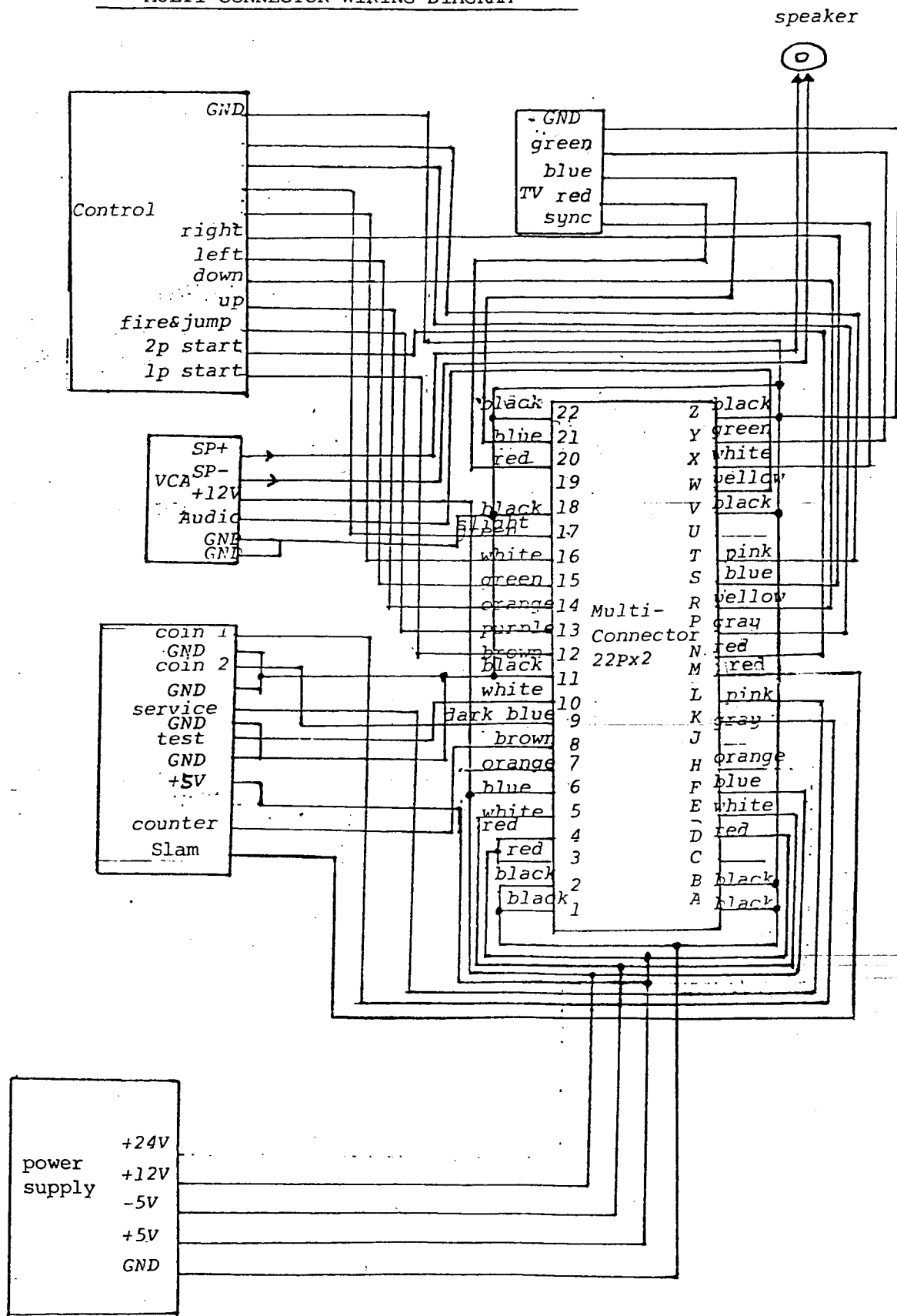


Figure 1.

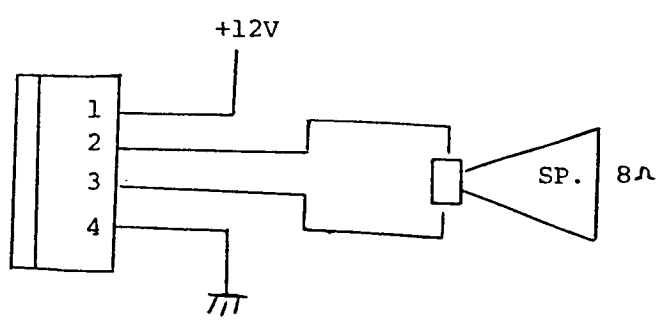
MULTI-CONNECTOR

COLOR WIRE: PIRATE TREASURE

COMPONENT SIDE

SOLDERING SIDE

Color	Label	Pin	Component Side Label	Component Side Label	Pin	Soldering Side Label
BLACK	GND	A 1	GND BLACK	GND	A 1	+ 5V
BLACK	GND	B 2	GND BLACK	GND	B 2	+ 5V
		C 3	+ 5V RED	1P START	C 3	
RED	+ 5V	D 4	+ 5V RED		D 4	
WHITE	- 5V	E 5	- 5V WHITE		E 5	
BLUE	+ 12V	F 6	+ 12V BLUE		F 6	
ORANGE	+ 5V	H 7	+ 5V ORANGE		H 7	
		J 8	METER BROWN		J 8	
GRAY COIN 1		K 9	COIN 2 BLUE		K 9	
PINK SERVICE		L 10	TEST WHITE	2P START	L 10	
RED SLAM		M 11	GND BLACK	2P DOWN	M 11	1P DOWN
RED 2P. START		N 12	1P. BROWN START	2P LEFT & SELECT TEST	N 12	1P LEFT
GRAY BOMB		P 13	FIRE PURPLE	SLAM	P 13	
YELLOW DOWN		R 14	UP ORANGE		R 14	
BLUE RIGHT		S 15	LEFT GREEN		S 15	
PINK HYPER		T 16	THRUST WHITE	DO TEST	T 16	
		U 17	RESERVE D.GRN.	2P RIGHT	U 17	1P RIGHT
BLACK GND		V 18	GND BLACK	COIN & 2P UP	V 18	1P UP
YELLOW AUDIO+		W 19	AUDIO-	COM 1 (1P & 2P START COM. GND)	W 19	COM 2 (1P CONTROL COM. GND)
WHITE TV SY		X 20	TV SY RED	COUNTER	X 20	COM 4 (COIN & SLAM COM. GND)
GREEN TV G		Y 21	TV B BLUE	COM 3 (2P CONTROL COM. GND)	Y 21	COUNTER
BLACK GND		Z 22	GND BLACK		Z 22	



LEPRECHAUN BOARD EDGE CONNECTOR

\* TEST MODE

1. ENTER THE TEST MODE:

BEFORE TURNING ON THE POWER SW., TURN ON THE TEST SW., TURN ON THE POWER SW., THEN TURN OFF THE TEST SW. QUICKLY, IT WILL SHOW 11 TESTS WITH A WHITE INDICATOR.

- (1) CONTINUOUS TEST
- (2) CPU
- (3) RAM
- (4) SWITCHES
- (5) VIDEO RAM
- (6) READ BACK
- (7) GRIDS
- (8) COLORS
- (9) SOUNDS
- (10) DIPS (DIP SW.)
- (11) START GAME

2. HOW TO TEST:

PUSH "TEST SELECT" BUTTON TO MOVE THE INDICATOR DOWN TO SELECT WHICH TEST YOU WILL DO.

TURN ON TEST SW. ONCE TO ENTER THE RIGHT TEST. AGAIN TO ADVANCE YOUR TEST.

IF YOU WOULD LIKE TO ENTER OTHER TEST MODE. THEN PUSH "SELECT TEST" BUTTON.

(1) CONTINUOUS TEST:

AUTOMATICALLY TESTS CPU THROUGH SOUNDS.

(2) CPU:

TESTS CPU'S FUNCTIONS.

(3) RAM:

TESTS WORKING AREA.

(4) SWITCHES:

TESTS ALL YOUR BUTTONS, JOYTICKS (EXCEPT P2 LEFT), PUSH OR OPERATE THEM, IF OK, THE "INDICATOR" APPEARS AT RIGHT POSITION.

- (5) VIDEO RAM:  
TESTS ALL 48 VIDEO RAM (4027).
- (6) READ BACK:  
RETEST CPU RAM & VIDEO RAM.
- (7) GRIDS:  
SHOWS 7 COLORS OF GRIDS.
- (8) COLORS:  
SHOW 7 COLORS.
- (9) SOUNDS:  
ALL AUDIO SOUNDS CAN BE HEARD.
- (10) DIPS:  
DIP SW. A & DIP SW. B.

EG.:

OFF	ON	FUNCTION			
0	0	1	1	CR	CN

SW. A:

FUNCTION	1	2	3	4	5	6	7	8
COIN 1. 1 CN 1 CR	OFF	OFF						
" 1 CN 2 CR	ON	OFF						
" 1 CN 3 CR	OFF	ON						
" 1 CN 4 CR	ON	ON						
COIN 2. 1 CN 1 CR			OFF	OFF				
" 1 CN 5 CR			ON	OFF				
" 1 CN 6 CR			OFF	ON				
" 1 CN 7 CR			ON	ON				
MAX. CREDITS 10					OFF	OFF		
" 20					ON	OFF		
" 30					OFF	ON		
" 40					ON	ON		
NO FREEPLAY							OFF	
FREEPLAY							ON	
UPRIGHT								OFF
COCKTAIL								ON



SW. B:

FUNCTION	1	2	3	4	5	6	7	8
NO BONUS	OFF	OFF				NOT USED		
BONUS 30000	ON	OFF						
" 60000	OFF	ON						
" 90000	ON	ON						
3 SLEUTH			OFF					
4 "			ON					
ATTRACT SOUND OFF				OFF				
" ON				ON				

(11) START GAME:

TO ENTER THE GAME MODE BUT IT WILL ENABLE THE COUNTER TO JUMP  
TURN OFF & ON THE POWER INSTEAD.

PIRATE TREASURE PCB ASS'Y

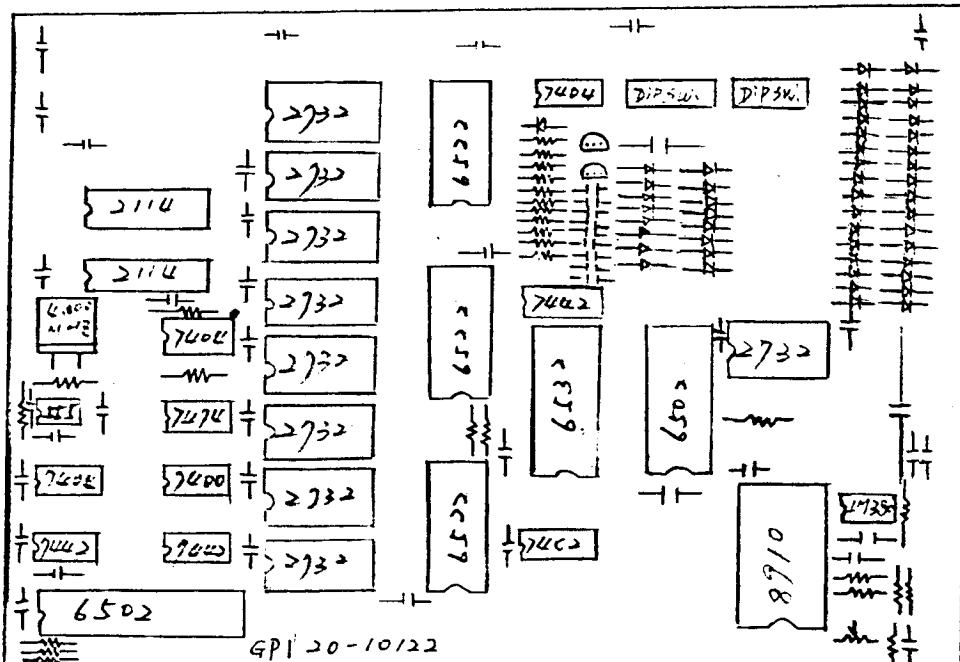
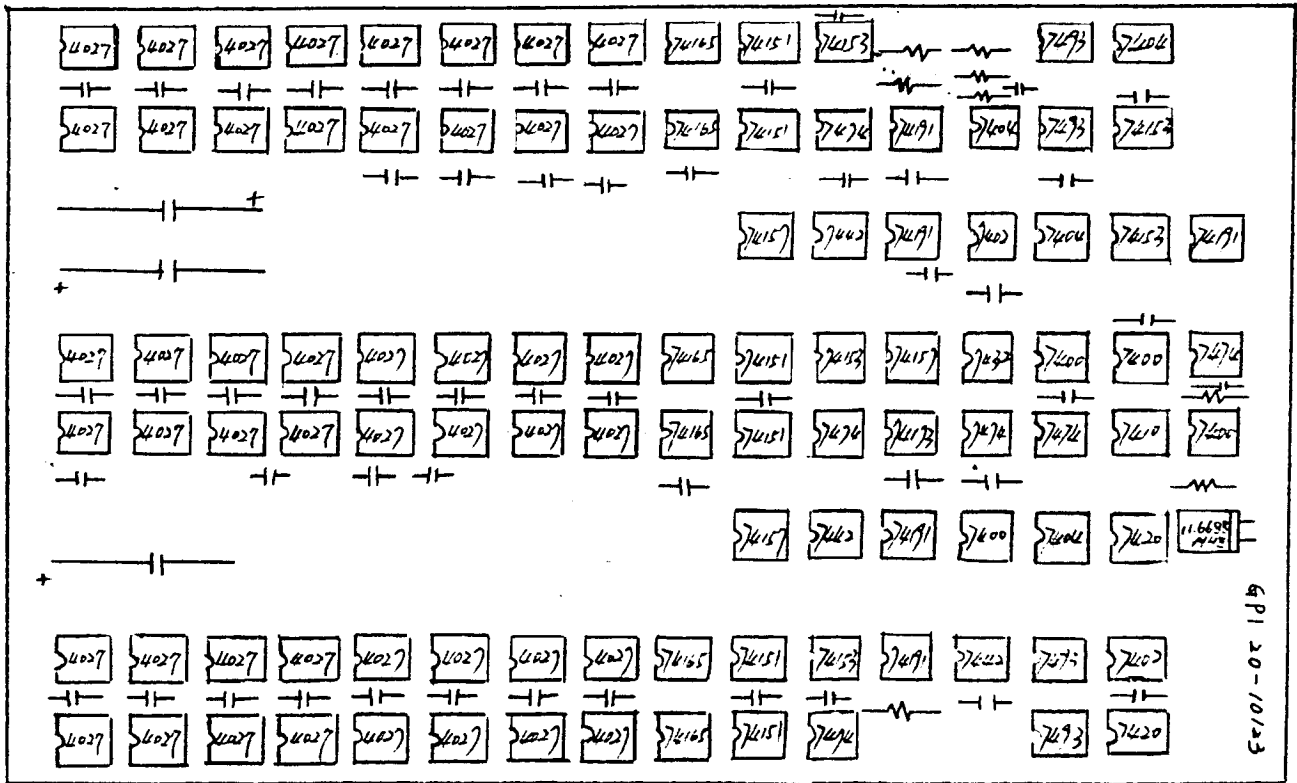


Figure 4.